

OPTEX Optical Dissolved Oxygen Sensor -Easy Installation, Simple Operation-



Optical Dissolved Oxygen Sensor
DOS-20

- Robust Design – Hard to deteriorate with ABS construction
- Long Term Stability -No Influence by water flow rate

Applications



Aquaculture



Aquarium

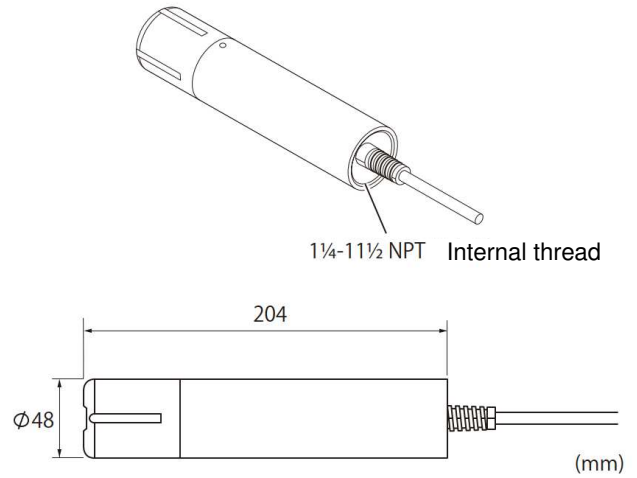
Optical Dissolved Oxygen Sensor

DOS-20

Specifications

Model	DOS-20
Measurement item	Dissolved Oxygen concentration (mg/L) Temperature (°C) Dissolved Oxygen Saturation Rate (%) Oxygen Partial Pressure (kPa)
Measurement range (Display resolution)	Dissolved Oxygen concentration: 0.00 - 50.00 mg/L (0.01 mg/L) Temperature: 0.0 - 50.0°C (0.1°C) Dissolved Oxygen Saturation Rate: 0.0 - 200.0 (0.1%) Oxygen Partial Pressure: 0.0 - 150.0 kPa (0.1 kPa)
Measurement resolution	± 0.1 mg/L (0 - 8 mg/L) ± 0.2 mg/L (8 - 20 mg/L)
Response time	90% response: < 45 seconds 95% response: < 60 seconds (measurement water temperature : 25°C)
Power supply voltage	12 to 36 VDC
Current Consumption	25 mA max. (24 VDC)
Communications	MODBUS (RTU/ASCII)
Operating temperature	0 to 50°C (unfrozen)
Major material	ABS
Dimensions	Φ44 x 204 mm
Weight	Approx. 850 g (including cable length of 10 m)
Degree of protection	Under water type, max. depth of 200 m (IP68)
Cable length	10 m

Dimensions



Optional items

Universal transmitter : SC-U1(E)

- 2 sensors can be installed.
(max. 4 sensors can be installed when using expansion board)
- 4-20 mA output
- Relay output



Replacement Cap : DOS-CP

Recommended to replace it once a year



OPTEX sensors line-up



●The appearance and specifications are subject to change for improvement without prior notice. ●The colors might be slightly different from the actual products. ●Safety Precautions: Read the instruction manual carefully and thoroughly before using the appliance, and then use it correctly. ●The products have a limited life. Maintenance and replace it regularly.

OPTEX CO., LTD.

5-8-12, Ogoto, Otsu, Shiga, 520-0101 Japan
Tel.+81-77-579-8680 Fax.+81-77-579-8199
www.optex.co.jp/e/