



### Dedicated IP Lighting with PoE

Remote control from anywhere on the network. Easy set-up, commissioning, operation and maintenance, minimising labour time and costs whilst maximising performance 24/7.



### Ultra-Powerful

VARIO2 i16 is the most powerful single panel IP PoE illuminator on the market, delivering outstanding distances of up to 500m (1,640ft).



### Platform Integration

VARIO2 IP provides a dedicated API for seamless integration into 3rd party technology platforms such as VMS, BMS and Access Control Systems.



### VARIO Interchangeable Lens System

Angle of illumination from 10 - 120° can be easily, quickly and precisely adjusted by changing the VARIO holographic lens insert to match the specific camera field of view.



### Advanced Security

VARIO2 IP illuminators offer greater levels of security, including stricter access controls and HTTPS. Health monitoring and lifetime diagnostics also provide insight into the illuminator's history and status.



### Hot-Spot Reduction Technology (HRT)

The HRT system delivers a highly diffused, elliptical beam system to deliver more light where it's needed most. Also prevents overexposure of foreground subjects.

## 5 YEAR WARRANTY

All Raytec luminaires are provided with an industry leading 5 year warranty and have an expected useful life in excess of 10 years. See Warranty Statement for details.



# Technical Specifications

Illuminator	i4	i6	i8	i16
Max Distance	144m (472ft)	200m (656 ft)	350m (1148 ft)	500m (1,640ft) - DC supply 420m (1378ft) - PoE supply
Angle	Standard pack includes 10° circular + 35° x 10° (fitted as standard) and 60° x 25° elliptical lenses. Additional optional lenses: 80° x 30°, 120° x 50°			
Input	PoE+ IEEE 802.3at or 24V DC	PoE+ IEEE 802.3at or 24V DC	60W PoE (4-pair PoE)* IEEE 802.3bt Class 6 <sup>^</sup> or 24V DC	90W PoE (4-pair PoE)* IEEE 802.3bt Class 8 or 24V DC
Consumption	15W (25W for 940nm variants)	25W	51W	93W - DC supply 71W - PoE supply
Data Input	Cat 5 Cable			
HTTPS	Encryption algorithm: ECDSA (256 bit private keys)			
HTTPS Certificate	DiscoMan Version 2 required for certificate generation by DiscoMan			
Beam Shape	Elliptical with HRT (Hot-spot Reduction) Technology			
Beam Angle System	VARIO Interchangeable Lens System			
LED type	Platinum Elite SMT LEDs			
Number of LEDs	9 (12 for 940nm variants)	12	24	48
Wavelength	850nm (940nm options available)	850nm	850nm (940nm options available)	850nm (940nm options available)
IP rating	IP66			
Temperature Range	-50° to +50°C (-58 to 122°F)			
Colour	Black			
Weight	950g (2.1lbs)	950g (2.1lbs)	1.65kg (3.6lbs)	3.16kg (7lbs)
Dimensions	100 x 135 x 66mm (4" x 5" x 2.5" approx.)	100 x 135 x 66mm (4" x 5" x 2.5" approx.)	135 x 180 x 68.2mm (5" x 7" x 2.6" approx)	180 x 277 x 75mm (7" x 11" x 2.9" approx.)
Cable Length	2 x 2.5m			
Bracketry	U bracket included VUB Bracketry also available (Optional)			
Minimum System Requirements	PC running Windows with network access and a modern web browser			
Country of Manufacture	United Kingdom			

<sup>^</sup> bt compatibility only available on illuminators with serial numbers ending in 120000 onwards.

\* Single signature 24.9K and 12.5K detection resistance. Contact Raytec for further information.

# Technical Specifications

## Integrated Command and Control Technology

Hardware Features	<ul style="list-style-type: none"> <li>• In-built photocell for automatic on/off operation</li> <li>• Configurable external output</li> <li>• External telemetry input</li> </ul>
Quick Access Software Features (provided as standard via integrated web interface)	<ul style="list-style-type: none"> <li>• Individual or group control (Groups up to 16 units)</li> <li>• Power On/Off</li> <li>• Power control: 20-100%</li> <li>• Boost: 110% power for 10 seconds</li> <li>• Deterrent feature with selectable patterns and speeds</li> </ul>
Advanced User Defined Software Features: (provided as standard via integrated web interface)	<ul style="list-style-type: none"> <li>• Timer functions</li> <li>• Soft start turn on</li> <li>• 3 x deterrent patterns</li> <li>• 3 x deterrent speeds</li> <li>• Selectable external telemetry input: volt – free or TTL</li> <li>• Photocell sensitivity trigger level</li> <li>• Assign illuminator to group for collective control</li> <li>• Assign name, group name and IP address</li> <li>• Restore factory defaults</li> <li>• Restart/reboot</li> <li>• Software upgrade</li> <li>• Supported protocols include HTTP, Local and VMS operating modes (including combinations)</li> <li>• Ping command functionality</li> </ul>
System Integration (Application Programming Interface)	<ul style="list-style-type: none"> <li>• API for integration into 3rd party platforms</li> <li>• API for integration into network devices via HTTP commands</li> </ul>

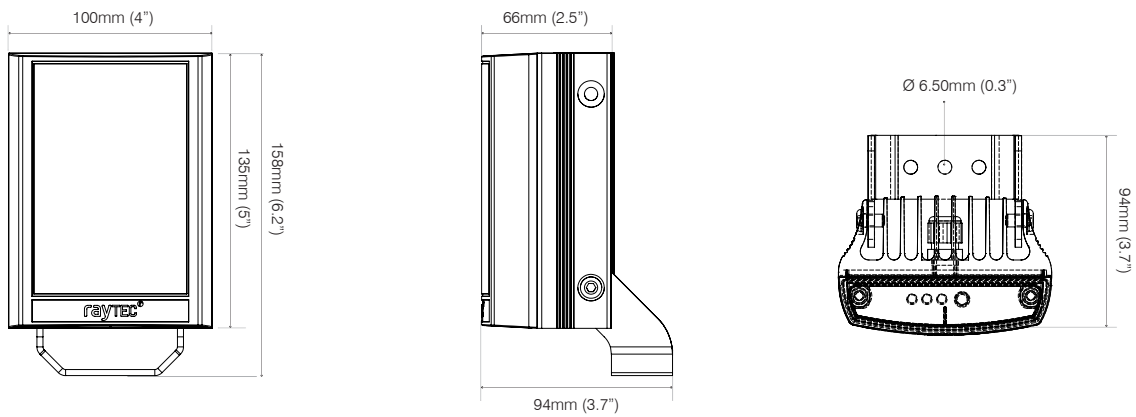
Security and Diagnostics	<ul style="list-style-type: none"> <li>• Advanced security</li> <li>• HTTPS</li> <li>• Lifetime diagnostics</li> <li>• Advanced diagnostics with health monitoring</li> <li>• Administrator and user access levels</li> <li>• Password Protection: create user and administrator passwords</li> </ul>
--------------------------	---

## POWERS – The Open Lighting Standard

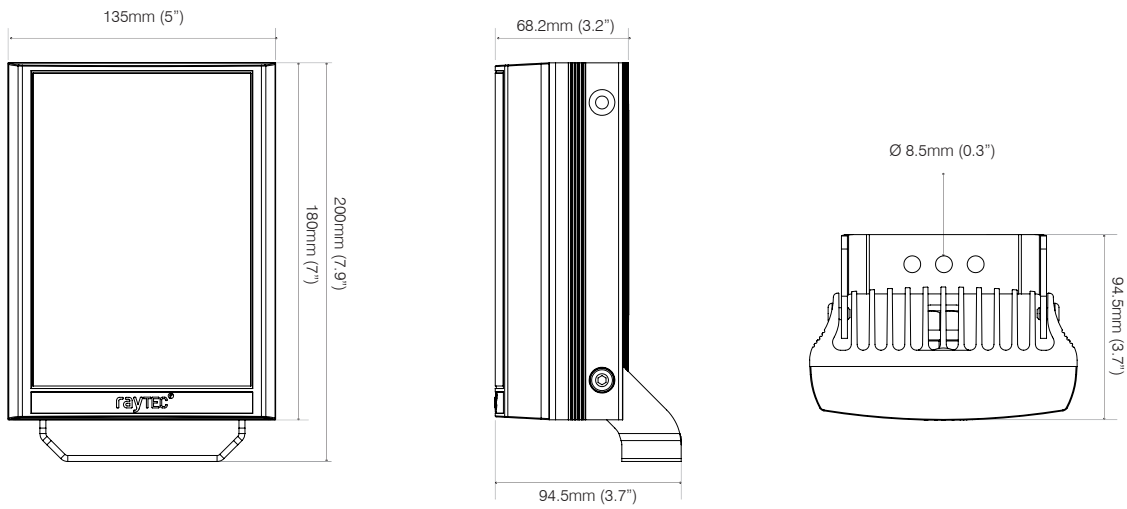
Specifications and distances based on the POWERS lighting standard.  
For full POWERS data and A&E specifications please contact [sales@rayteclcd.com](mailto:sales@rayteclcd.com)

# Dimension Drawings

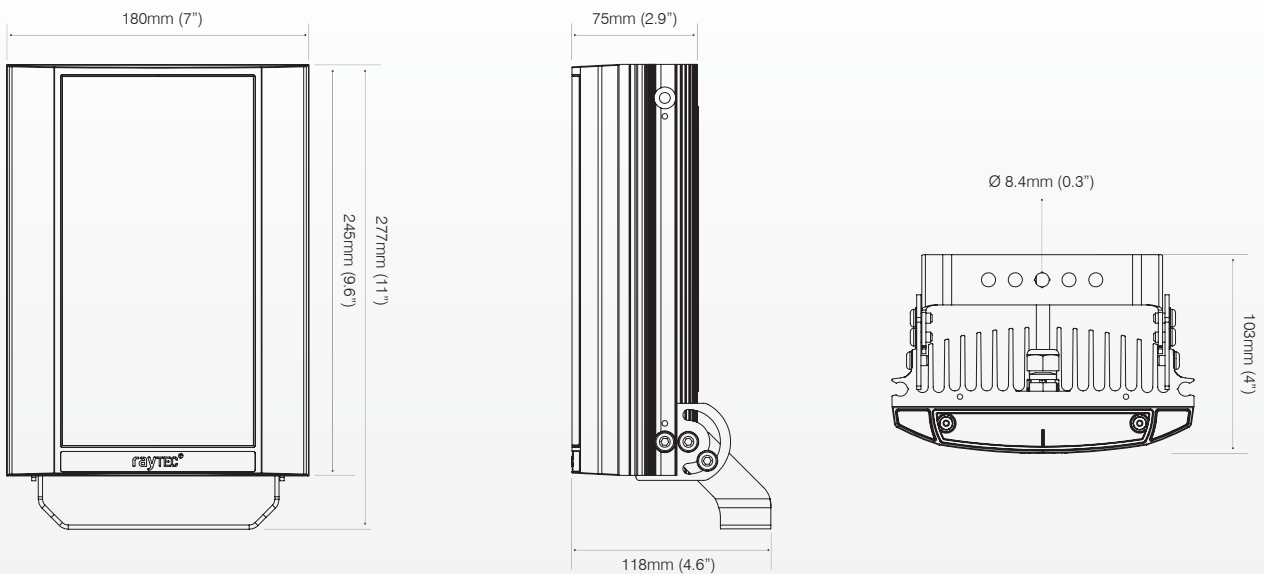
## VARIO2 IPPoE i4-1 and VARIO2 IPPoE i6-1



## VARIO2 IPPoE i8-1



## VARIO2 IPPoE i16-1



# Product Codes

Part Codes	Description	Angles	Distances
VAR2-IPPOE-i16-1	VARIO2 IP PoE i16 Network Illuminator, 3 angle options included, 90W 4-pair PoE IEEE 802.3bt or 24V DC power input, black, 850nm	10 x 10°	500m (1640ft) - DC supply 420m (1378ft) - PoE supply
		35 x 10° (fitted as standard)	250m (820ft) - DC supply 210m (689ft) - PoE supply
		60 x 25°	135m (443ft) - DC supply 113m (372ft) - PoE supply
		80 x 30° (optional)	105m (344ft) - DC supply 88m (289ft) - PoE supply
		120 x 50° (optional)	65m (213ft) - DC supply 55m (179ft) - PoE supply
VAR2-IPPOE-i16-1-c	VARIO2 IP PoE i16 Network Illuminator, 3 angle options included, 90W 4-pair PoE IEEE 802.3bt or 24V DC power input, black, 940nm	10 x 10°	Contact Raytec
		35 x 10° (fitted as standard)	Contact Raytec
		60 x 25°	Contact Raytec
		80 x 30° (optional)	Contact Raytec
		120 x 50° (optional)	Contact Raytec
VAR2-IPPOE-i8-1	VARIO2 iP PoE i8 Network Illuminator, 3 angle options included, 24V DC or 60W 4-pair PoE IEEE 802.3bt or 24V DC, black, 850nm	10 x 10°	350m (1148ft)
		35 x 10° (fitted as standard)	165m (541ft)
		60 x 25°	95m (311ft)
		80 x 30° (optional)	70m (230ft)
		120 x 50° (optional)	45m (148ft)
VAR2-IPPOE-i8-1-c	VARIO2 iP PoE i8 Network Illuminator, 3 angle options included, 60W 4-pair PoE IEEE 802.3bt or 24V DC power input, black, 940nm	10 x 10°	Contact Raytec
		35 x 10° (fitted as standard)	Contact Raytec
		60 x 25°	Contact Raytec
		80 x 30° (optional)	Contact Raytec
		120 x 50° (optional)	Contact Raytec
VAR2-IPPOE-i6-1	VARIO2 iP PoE i6 Network Illuminator, 3 angle options included, PoE+ IEEE 802.3at or 24V DC power input, black, 850nm	10 x 10°	200m (656ft)
		35 x 10° (fitted as standard)	120m (394ft)
		60 x 25°	70m (230ft)
		80 x 30° (optional)	50m (164ft)
		120 x 50° (optional)	30m (98ft)
VAR2-IPPOE-i4-1	VARIO2 iP PoE i4 Network Illuminator, 3 angle options included, PoE+ IEEE 802.3at or 24V DC power input, black, 850nm	10 x 10°	144m (472ft)
		35 x 10° (fitted as standard)	78m (256ft)
		60 x 25°	54m (177ft)
		80 x 30° (optional)	36m (118ft)
		120 x 50° (optional)	24m (79ft)
VAR2-IPPOE-i4-1-c	VARIO2 iP PoE i4 Network Illuminator, 3 angle options included, PoE+ IEEE 802.3at or 24V DC power input, black, 940nm	10 x 10°	Contact Raytec
		35 x 10° (fitted as standard)	Contact Raytec
		60 x 25°	Contact Raytec
		80 x 30° (optional)	Contact Raytec
		120 x 50° (optional)	Contact Raytec

## Optional Parts

VAR-i16-LENS-8020	Individual i16 VARIO lens – 80°H x 30°V
VAR-i16-LENS-12050	Individual i16 VARIO lens – 120°H x 50°V
VAR-i8-LENS-8030	Individual i8 VARIO lens – 80°H x 30°V
VAR-i8-LENS-12050	Individual i8 VARIO lens – 120°H x 50°V
VAR-i6-LENS-8030	Individual i6 VARIO lens – 80°H x 30°V
VAR-i6-LENS-12050	Individual i6 VARIO lens – 120°H x 50°V
VAR-i4-LENS-8030	Individual i4 VARIO lens – 80°H x 30°V
VAR-i4-LENS-12050	Individual i4 VARIO lens – 120°H x 50°V

Contact Raytec for other beam angles