

Medium and Long Range White-Light Illuminators



Dedicated IP Lighting with PoE

Remote control from anywhere on the network. Easy set-up, commissioning, operation and maintenance, minimising labour time and costs whilst maximising performance 24/7.



Ultra-Powerful

VARIO2 w16 is the most powerful single panel IP PoE illuminator on the market, delivering outstanding distances of up to 250m (820ft)



Platform Integration

VARIO2 IP provides a dedicated API for seamless integration into 3rd party technology platforms such as VMS, BMS and Access Control Systems.



VARIO Interchangeable Lens System

Angle of illumination from 10 - 120° can be easily, quickly and precisely adjusted by changing the VARIO holographic lens insert to match the specific camera field of view.



Advanced Security

VARIO2 IP illuminators offer greater levels of security, including stricter access controls and HTTPS. Health monitoring and lifetime diagnostics also provide insight into the illuminator's history and status.



Hot-Spot Reduction Technology (HRT)

The HRT system delivers a highly diffused, elliptical beam system to deliver more light where it's needed most. Also prevents overexposure of foreground subjects.

5 YEAR WARRANTY

All Raytec luminaires are provided with an industry leading 5 year warranty and have an expected useful life in excess of 10 years. See Warranty Statement for details.



Technical Specifications

Illuminator	w4	w8	w16
Max Distance	110m (361ft)	180m (591ft)	250m (820ft) - DC supply 210m (689ft) - PoE supply
Total Lumens	1,863 lm	3,727 lm	7,453 lm
Angle	Standard pack includes 10° circular + 35° x 10° (fitted as standard) and 60° x 25° elliptical lenses. Additional optional lenses: 80° x 30°, 120° x 50°		
Input	PoE+ IEEE 802.3at or 24V DC	60W PoE (4-pair PoE)* IEEE 802.3bt Class 6 [^] or 24V DC	90W PoE (4-pair PoE)* IEEE 802.3bt Class 8 or 24V DC
Consumption	25W	47W	75W - DC supply 71W - PoE supply
Data Input	Cat 5 Cable		
HTTPS	Encryption algorithm: ECDSA (256 bit private keys)		
HTTPS Certificate	DiscoMan Version 2 required for certificate generation by DiscoMan		
Beam Shape	Elliptical with HRT (Hot-spot Reduction) Technology		
Beam Angle System	VARIO Interchangeable Lens System		
LED type	Platinum Elite SMT LEDs		
Number of LEDs	12	24	48
Wavelength	White-Light	White-Light	White-Light
Colour Temp	6000k~	6000k~	6000k~
Colour Reproduction Index	>70	>70	>70
IP rating	IP66		
Temperature Range	-50° to +50°C (-58 to 122°F)		
Colour	Silver		
Weight	950g (2.1lbs)	1.65kg (3.6lbs)	3.16kg (7lbs)
Dimensions	100 x 135 x 66mm (4" x 5" x 2.5" approx.)	135 x 180 x 68.2mm (5" x 7" x 2.6" approx)	180 x 277 x 75mm (7" x 11" x 2.9" approx.)
Cable Length	2 x 2.5m		
Bracketry	U bracket included VUB Bracketry also available (Optional)		
Minimum System Requirements	PC running Windows with network access and a modern web browser		
Country of Manufacture	United Kingdom		

[^] bt compatibility only available on illuminators with serial numbers ending in 120000 onwards.

* Single signature 24.9K and 12.5K detection resistance. Contact Raytec for further information.

Technical Specifications

Integrated Command and Control Technology

Hardware Features	<ul style="list-style-type: none"> • In-built photocell for automatic on/off operation • Configurable external output • External telemetry input
Quick Access Software Features (provided as standard via integrated web interface)	<ul style="list-style-type: none"> • Individual or group control (Groups up to 16 units) • Power On/Off • Power control: 20-100% • Boost: 110% power for 10 seconds • Deterrent feature with selectable patterns and speeds
Advanced User Defined Software Features: (provided as standard via integrated web interface)	<ul style="list-style-type: none"> • Timer functions • Soft start turn on • 3 x deterrent patterns • 3 x deterrent speeds • Selectable external telemetry input: volt – free or TTL • Photocell sensitivity trigger level • Assign illuminator to group for collective control • Assign name, group name and IP address • Restore factory defaults • Restart/reboot • Software upgrade • Supported protocols include HTTP, Local and VMS operating modes (including combinations) • Ping command functionality
System Integration (Application Programming Interface)	<ul style="list-style-type: none"> • API for integration into 3rd party platforms • API for integration into network devices via HTTP commands

Security and Diagnostics

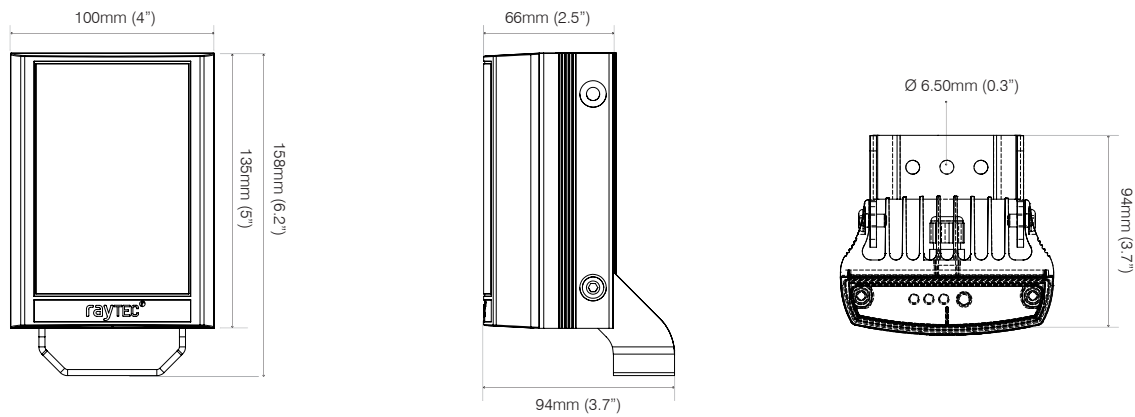
- Advanced security
- HTTPS
- Lifetime diagnostics
- Advanced diagnostics with health monitoring
- Administrator and user access levels
- Password Protection: create user and administrator passwords

POWERS – The Open Lighting Standard

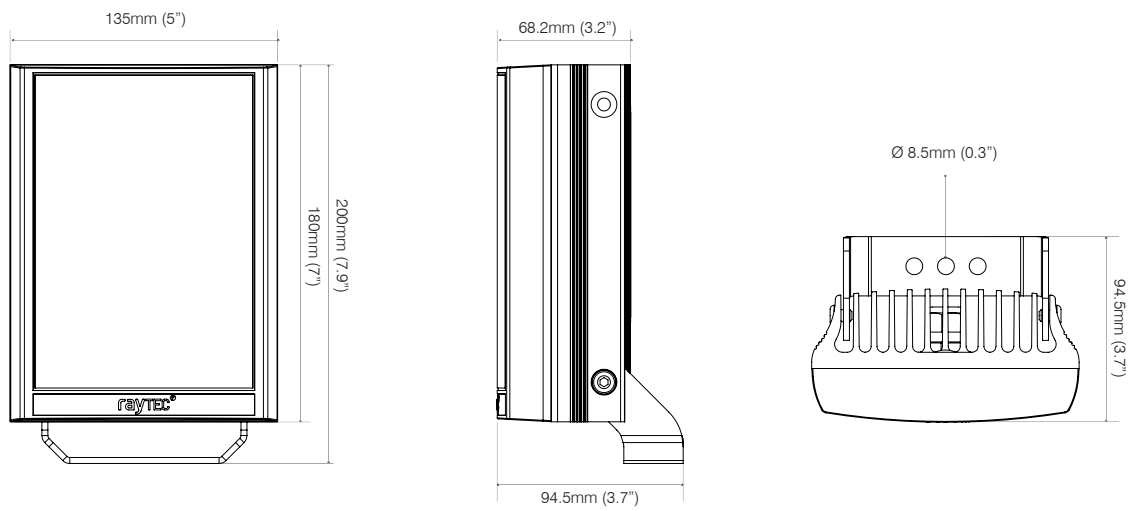
Specifications and distances based on the POWERS lighting standard.
For full POWERS data and A&E specifications please contact sales@rayteclcd.com

Dimension Drawings

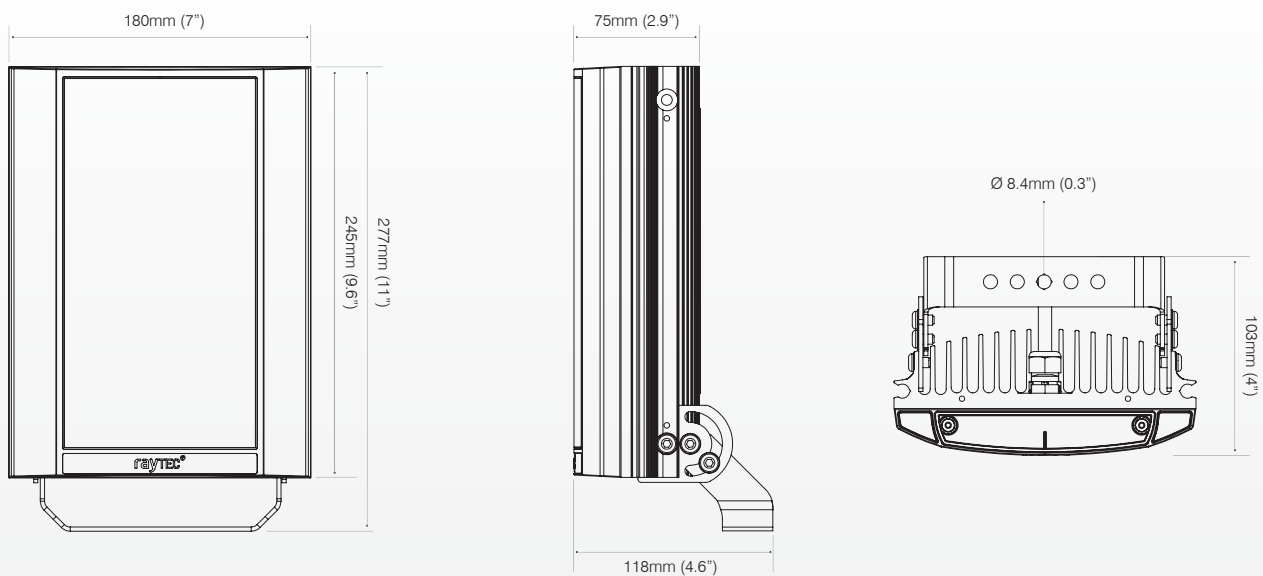
VARIO2 IPPoE w4-1



VARIO2 IPPoE w8-1



VARIO2 IPPoE w16-1



Product Codes

Part Codes	Description	Angles	Distances
VAR2-IPPOE-w16-1	VARIO2 iP PoE w16 Network Illuminator, 3 angle options included, 90W 4-pair PoE IEEE 802.3bt or 24V DC power input, silver, White-Light	10 x 10°	250m (820ft) - DC supply 210m (689ft) - PoE supply
		35 x 10° (fitted as standard)	125m (410ft) - DC supply 105m (344ft) - PoE supply
		60 x 25°	70m (230ft) - DC supply 59m (193ft) - PoE supply
		80 x 30° (optional)	48m (157ft) - DC supply 40m (132ft) - PoE supply
		120 x 50° (optional)	35m (115ft) - DC supply 29m (97ft) - PoE supply
VAR2-IPPOE-w8-1	VARIO2 iP PoE w8 Network Illuminator, 3 angle options included, 60W 4-pair PoE IEEE 802.3bt or 24V DC, silver, White-Light	10 x 10°	180m (591ft)
		35 x 10° (fitted as standard)	95m (312ft)
		60 x 25°	50m (164ft)
		80 x 30° (optional)	35m (115ft)
		120 x 50° (optional)	25m (82ft)
VAR2-IPPOE-w4-1	VARIO2 iP PoE w4 Network Illuminator, 3 angle options included, PoE+ IEEE 802.3at or 24V DC power input, silver, White-Light	10 x 10°	110m (361ft)
		35 x 10° (fitted as standard)	65m (213ft)
		60 x 25°	35m (115ft)
		80 x 30° (optional)	25m (82ft)
		120 x 50° (optional)	18m (59ft)

Optional Parts

VAR-w16-LENS-8020	Individual w16 VARIO lens – 80°H x 30°V
VAR-w16-LENS-12050	Individual w16 VARIO lens – 120°H x 50°V
VAR-w8-LENS-8030	Individual w8 VARIO lens – 80°H x 30°V
VAR-w8-LENS-12050	Individual w8 VARIO lens – 120°H x 50°V
VAR-w4-LENS-8030	Individual w4 VARIO lens – 80°H x 30°V
VAR-w4-LENS-12050	Individual w4 VARIO lens – 120°H x 50°V

Contact Raytec for other beam angles