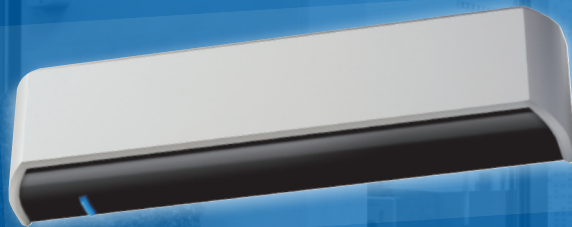


BLUEZONE TECHNOLOGY
OA-FUNXION

Active Infrared Sensor for
Slide Doors

Flexibility for Increased Safety and Reliability



The OPTEX OA-FUNXION Active Infrared Door Sensor is the optimal choice for both safety and activation on automatic slide doors. OA-FUNXION features presence detection capability with BLUEZONE technology for full threshold safety. Self-monitoring capability ensures high performance over the life of the sensor.

Features & Benefits

The OPTEX OA-FUNXION is the optimal choice for both safety and activation on automatic slide doors.

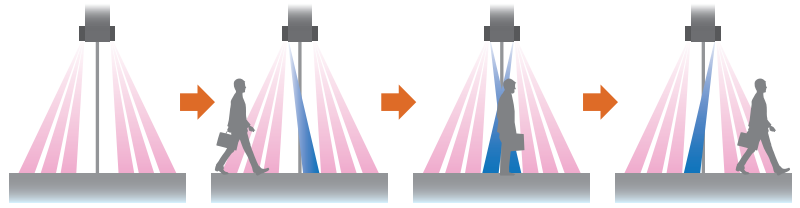
It combines wider detection area with easily adjustable settings, providing maximum safety in a wide array of applications.

OA-FUNXION features presence detection capability with BLUEZONE for full threshold safety and self-monitoring for more reliability.

Self-Monitoring

OA-FUNXION monitors its critical functions and notifies users by LED indicator when an error occurs.

Self-monitoring capability ensures a higher level of performance over the life of the sensor.



BLUEZONE True Threshold Safety

When a person is detected, the door is activated and BLUEZONE, our exclusive threshold look-through technology, becomes active.

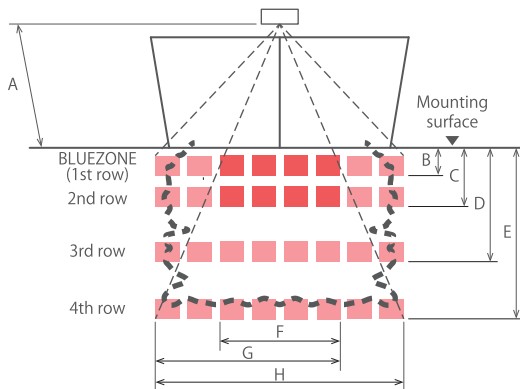
As long as someone is in the detection area, the sensor will keep the door open.

Once the area is cleared, the BLUEZONE will ignore the door panels and allow the doors to safely close.



Detection Area

■ : Emitting spots ■ : Emitting spots (can be eliminated) □ : Detection Area



3rd, 4th rows : Motion detection 1st, 2nd rows : Motion/presence detection

Emitting area

		A (Mounting height)			
		2000	2200	2500	3000
Depth	B	300	330	370	450
	C	550	610	690	830
	D	1130	1250	1420	1700
	E	2000	2210	2510	3010
Width	F	1040	1150	1430	1560
	G	1720	1900	2150	2590
	H	2260	2490	2820	3390

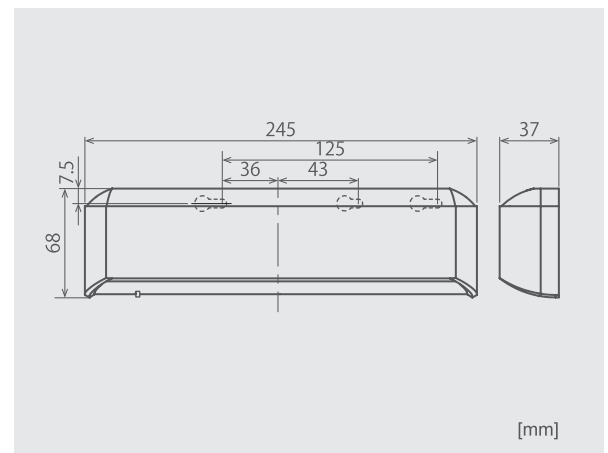
[mm]

Charts show the values in the following area angle adjustment settings ; Depth : +8° Width : 0°

Specifications

Model	: OA-FUNXION
Cover color	: Silver / Black
Mounting height	: 2.0 to 3.0 m
Detection method	: Active infrared reflection
Area angle adjustment	: Depth : -8° to +8° , Width : ±7°
Power supply (*)	: 12 to 24 VAC ±10 % (50/60 Hz), 12 to 30 VDC ±10 %
Power consumption	: < 2.0 W (< 5 VA at AC)
Output hold time	: Approx. 500 ms
Response time	: < 300 ms
Operating temperature	: -20 to +55° C
Operating humidity	: < 80 % (Non-condensing)
Output	: Form C relay 50 V 0.3 A Max. (Resistance load)
Weight	: 210 g
Accessories	: 2 Mounting screws, 1 Mounting template, 1 Area adjustment tool, 1 Cable 3.0 m

Dimensions



NOTE The specifications herein are subject to change without prior notice due to improvements.

* : When using this sensor, the sensor has to be connected to a door system which has the SELV circuit.