

# OA-FUNXION LITE

Active Infrared Sensor for  
Slide Doors

Flexibility for Increased Safety and Reliability



The OPTEX OA-FUNXION LITE Active Infrared Door Sensor is the optimal choice for both safety and activation on automatic slide doors. OA-FUNXION LITE features Self-monitoring capability ensures high performance over the life of the sensor.

## Features & Benefits

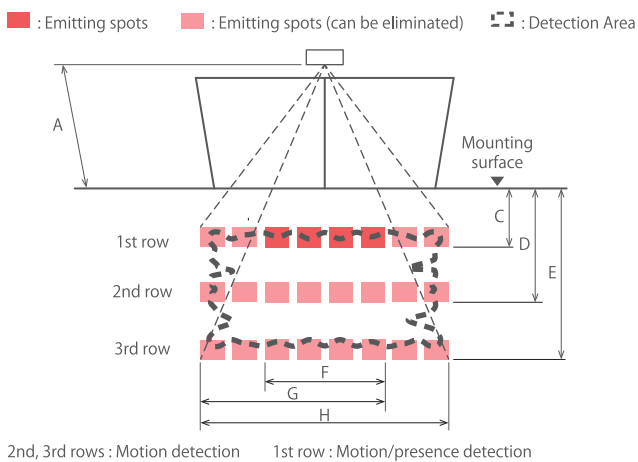
### Flexibility for Safety and Reliability

The OPTEX OA-FUNXION LITE combines wider detection area with easily adjustable settings, providing maximum safety in a wide array of applications. OA-FUNXION LITE features presence detection capability and self-monitoring for more reliability.

### Self-Monitoring

OA-FUNXION LITE monitors its critical functions and notifies users by LED indicator when an error occurs. Self-monitoring capability ensures a higher level of performance over the life of the sensor.

## Detection Area



### Emitting area

		A (Mounting height)			
		2000	2200	2500	3000
Depth	C	550	610	690	830
	D	1130	1250	1420	1700
	E	2000	2210	2510	3010
Width	F	1040	1150	1430	1560
	G	1720	1900	2150	2590
	H	2260	2490	2820	3390

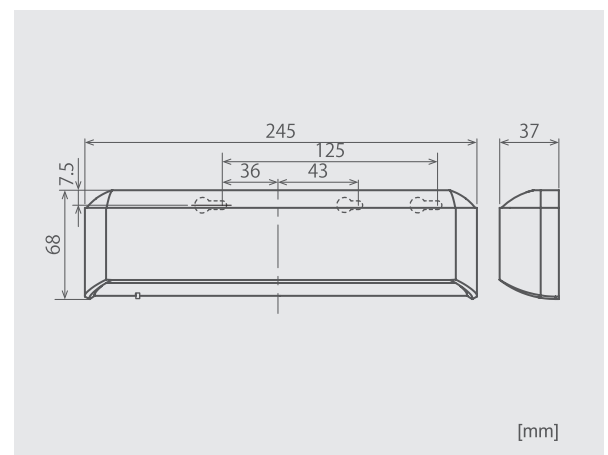
[mm]

Charts show the values in the following area angle adjustment settings ; Depth : +8°  
Width : 0°

## Specifications

Model	: OA-FUNXION LITE
Cover color	: Silver / Black
Mounting height	: 2.0 to 3.0 m
Detection method	: Active infrared reflection
Area angle adjustment	: Depth : -8° to +8° , Width : ±7°
Power supply (*)	: 12 to 24 VAC ±10 % (50/60 Hz), 12 to 30 VDC ±10 %
Power consumption	: < 2.0 W (< 5 VA at AC)
Output hold time	: Approx. 500 ms
Response time	: < 300 ms
Operating temperature	: -20 to +55° C
Operating humidity	: < 80 % (Non-condensing)
Output	: Form C relay 50 V 0.3 A Max. (Resistance load)
Weight	: 210 g
Accessories	: 2 Mounting screws, 1 Mounting template, 1 Area adjustment tool, 1 Cable 3.0 m

## Dimensions



**NOTE** The specifications herein are subject to change without prior notice due to improvements.  
\* : When using this sensor, the sensor has to be connected to a door system which has the SELV circuit.